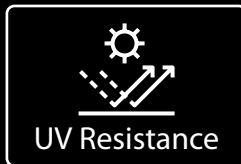
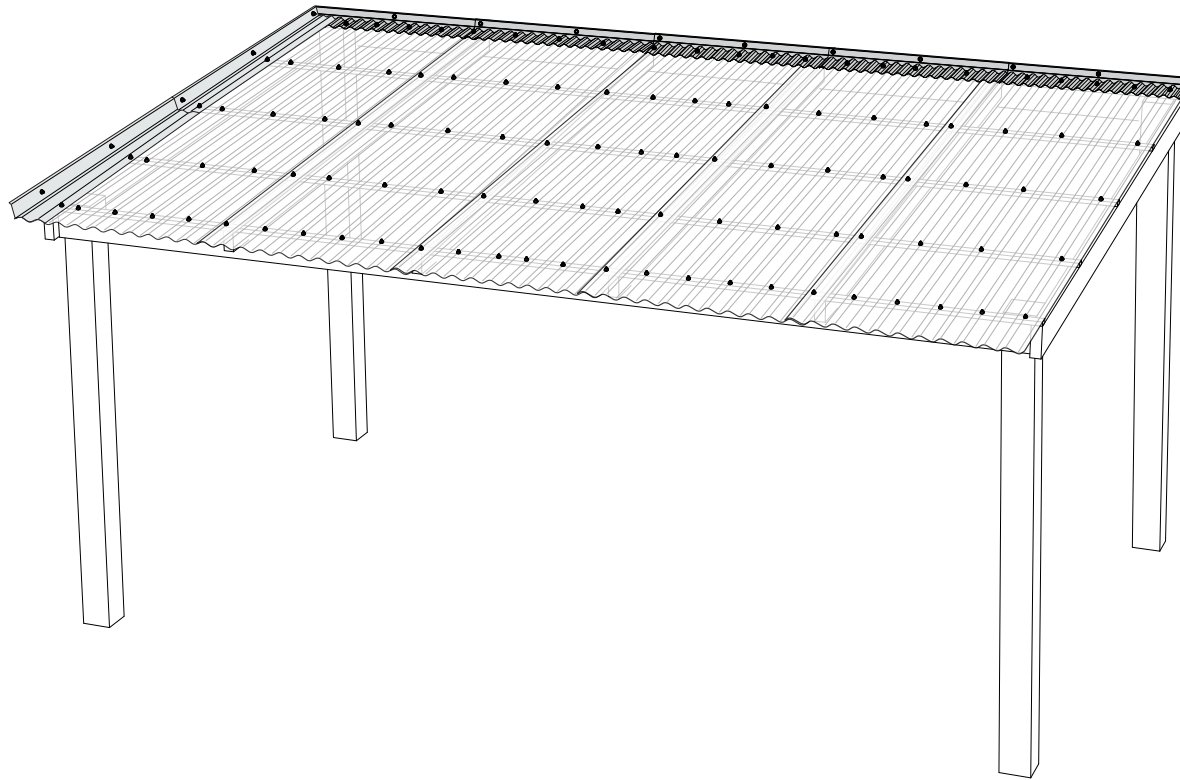




SUNTUF® DIY & Beehive | Installation Guide



UV Resistance



Snow Load



Wind Resistance



Aesthetics



Easy To Install

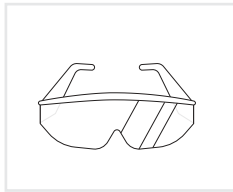
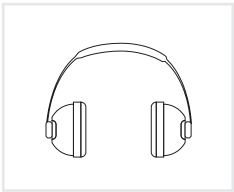
[SUNTUF® DIY - Product Page](#)

[SUNTUF® Beehive - Product Page](#)

[PALRAM Website](#)

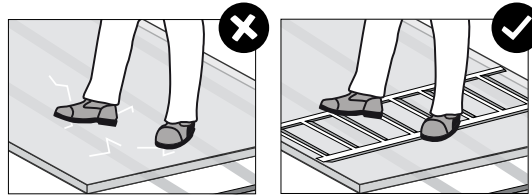
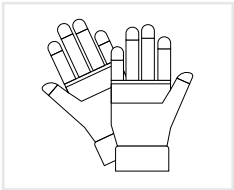
Installation

Safety comes first

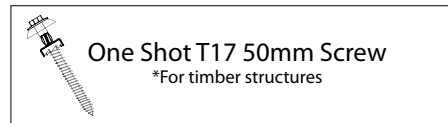
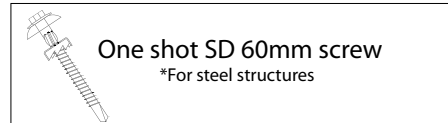
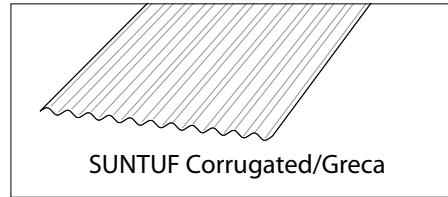


Do not step directly on the sheets between the purlins!

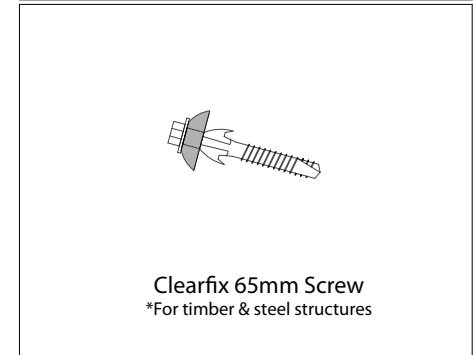
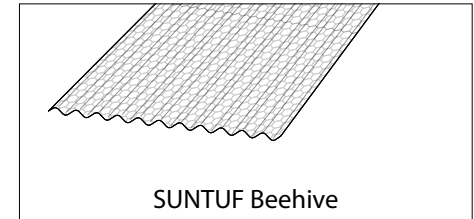
When installing SUNTUF or doing maintenance work, always consider the sheet to be unfit to support a person's weight. Always use stepping ladders or crawling boards, supported by minimum three roof structural elements, when working on a glazed roof of any kind.



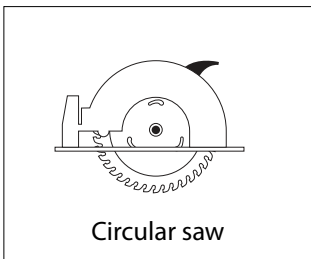
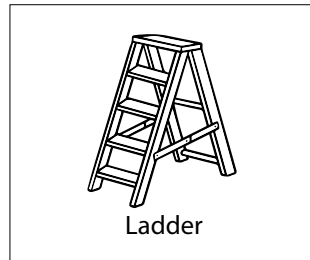
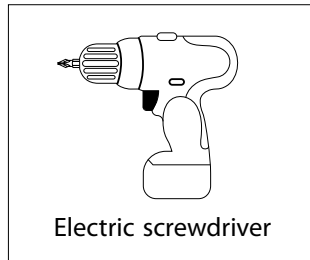
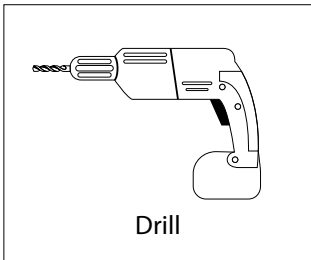
SUNTUF DIY



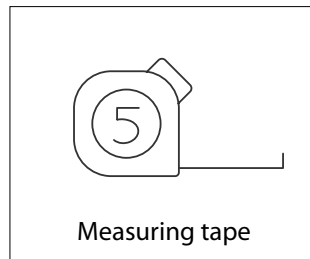
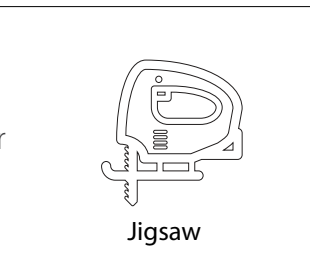
SUNTUF Beehive



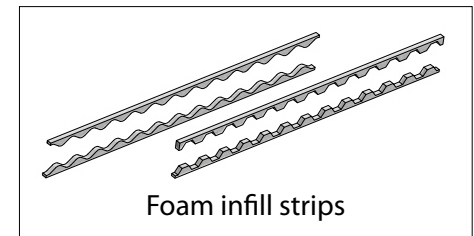
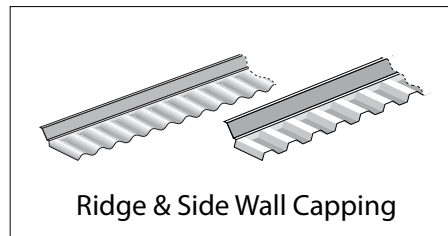
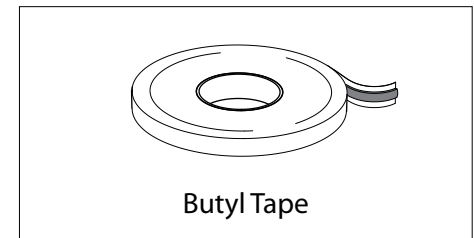
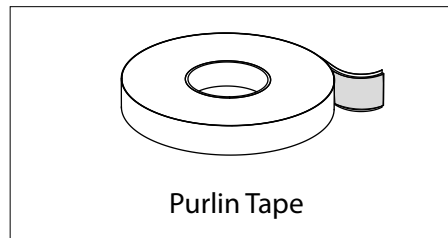
Required Tools



or

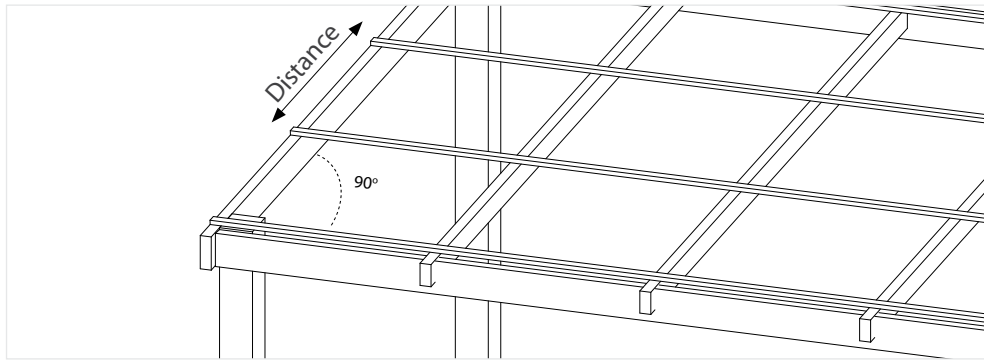


Optional



Before Installation - Guidelines for substructure

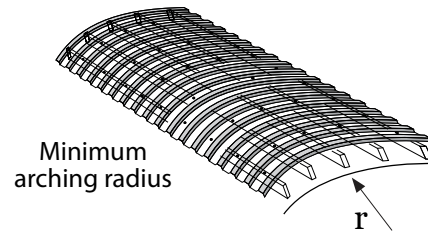
1 Purlin Spacing



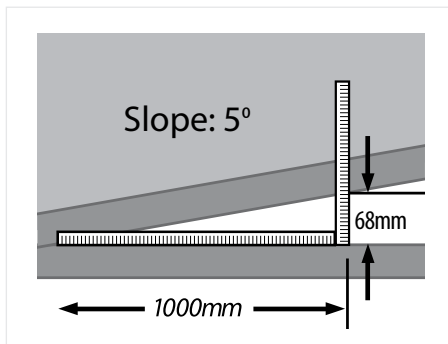
Ensure that the underlying roof structure is square before starting installation of the SUNTUF® Sheets.

Profile	Distance between purlins
SUNTUF Corrugated/Greca	800mm to 1000mm
SUNTUF Beehive	1100mm to 1400mm

Minimum arching radius	
SUNTUF Greca 76	4m Max
SUNTUF Corrugated 76	4m Max
SUNTUF Beehive	7m Max

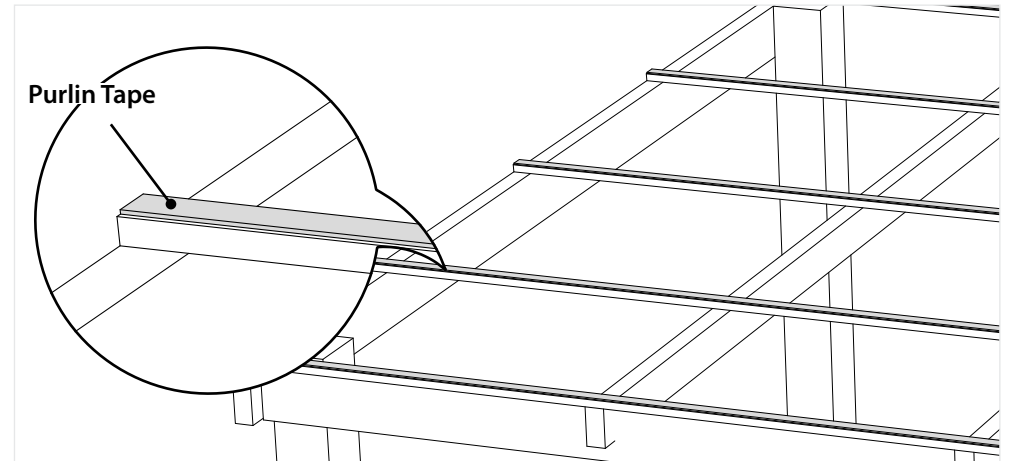


2 Ensure Minimum Roof Pitch



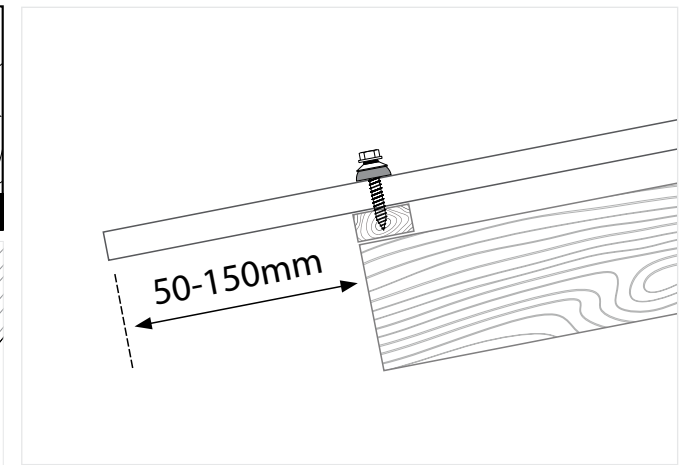
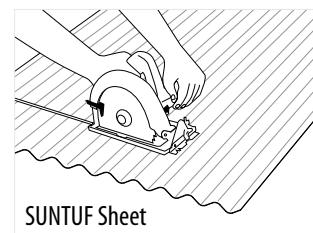
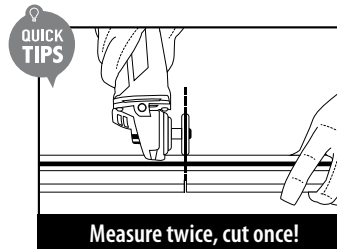
- Confirm that the roof pitch is at least 5° (200mm rise for 2m length or 250mm for 2.5m length).
- This minimum pitch will ensure proper water runoff and help keep the Roof Panels clean.

3 Foam tape application



- Applying foam tape on each purlin will reduce friction and noise caused by thermal expansion.

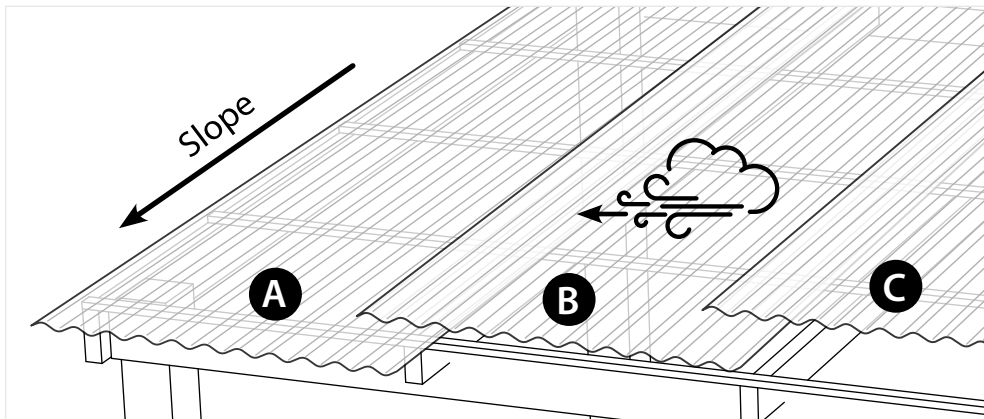
4 Measuring and Cutting



- **NOTE:** if you plan to install a gutter, use a 50mm overhang.

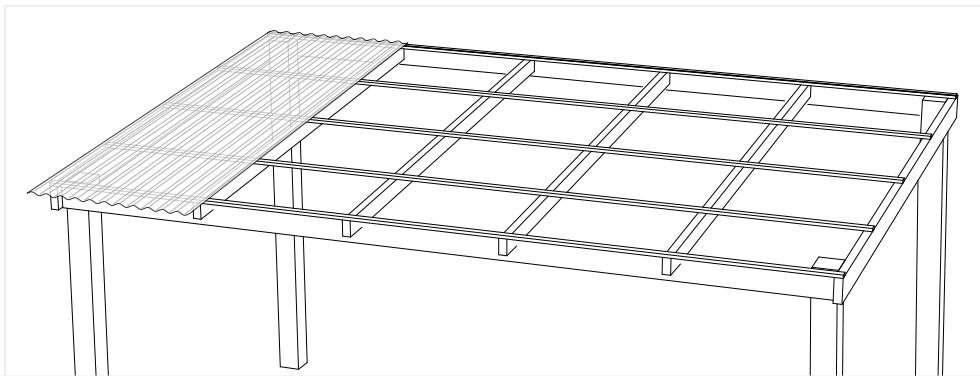
Installation

5 Layout direction



- Lay the sheets against wind direction.
- Start with the bottom sheet on the opposite side to the wind direction.
- **NOTE:** overlap 2 corrugations when slope is lower than 5°.

6 Positioning the first sheet



- Set the first sheet on the purlin, leaving 50-150mm overhang.

7 Screw scheme

SUNTUF Corrugated & Beehive

Top and bottom purlins



Middle Purlins



SUNTUF Greca

Top and bottom purlins

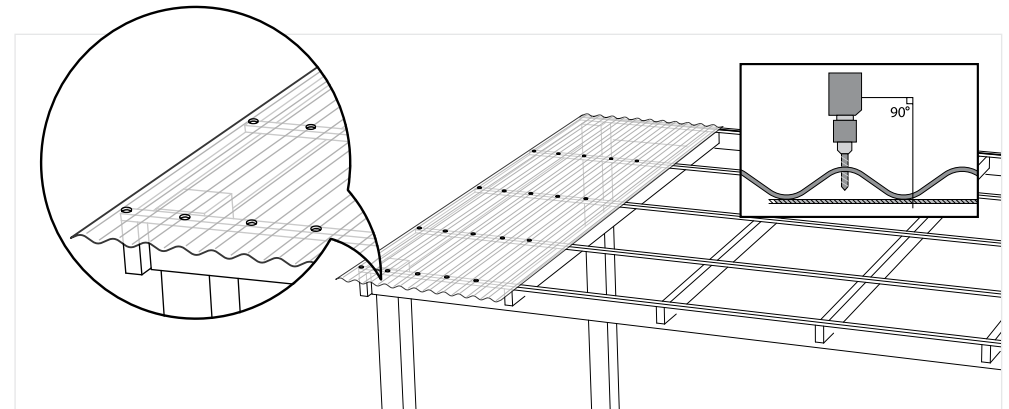


Middle Purlins



NOTE: In case you are fixing Suntuf Beehive with dual action fasteners, no drilling is necessary.

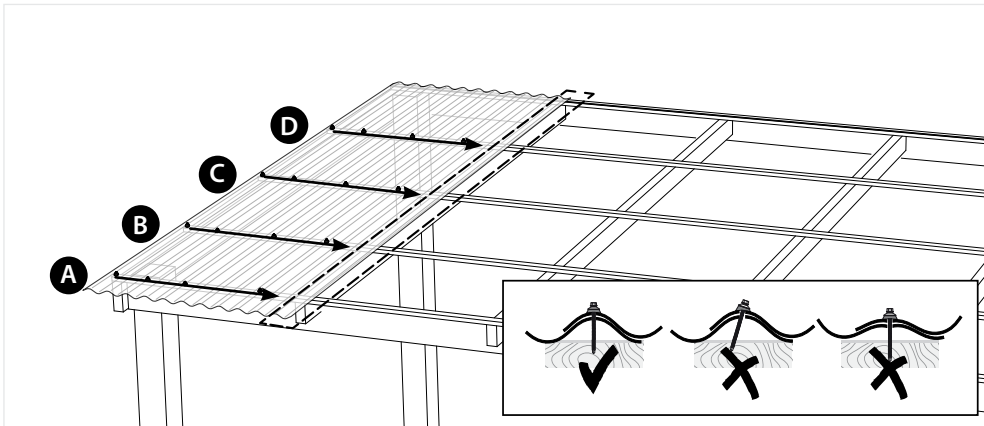
8 Drilling the first sheet



- Drill with a 10 mm diameter metal drill or a special drill for plastic.
- **NOTES:** drilling chips must be cleaned before tightening the screw.
- Do not drill the sidelap corrugation, it will be drilled together with the next sheet.
- In case of top wall trim use, **do not drill the top purlin line.**

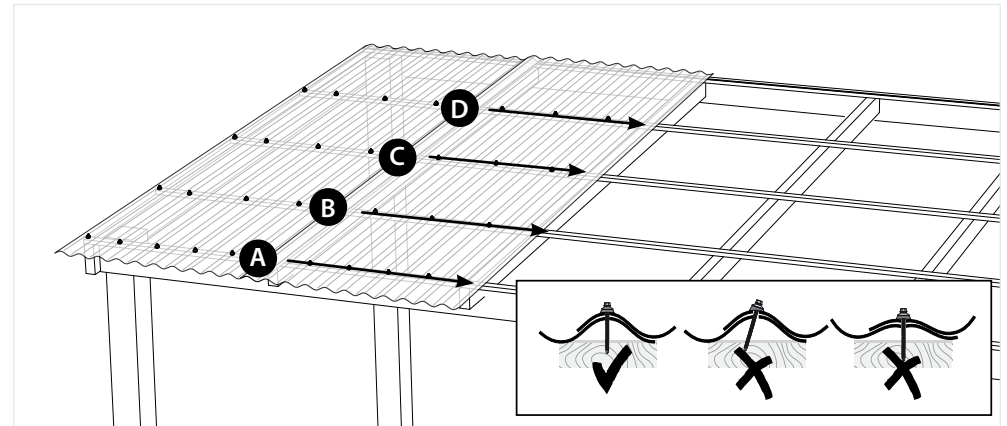
Installation

9 Fixing the first sheet



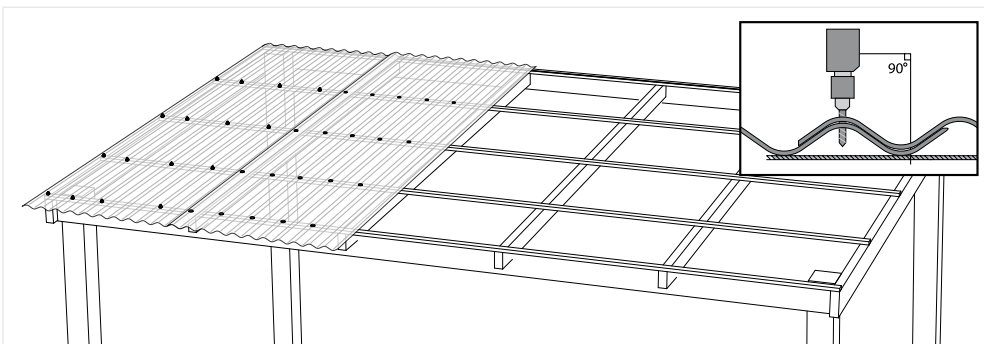
- Start fixing the screws according to screw scheme illustrated in drawing #7.
- Start at the lower end, and make your way sideways and upward.
- **NOTES:** Leave the lateral side-lap corrugation un fixed.
- It will be fixed together with the next sheet.
- In case of top wall trim use, do not drill the top purlin line.

11 Fixing the second sheet



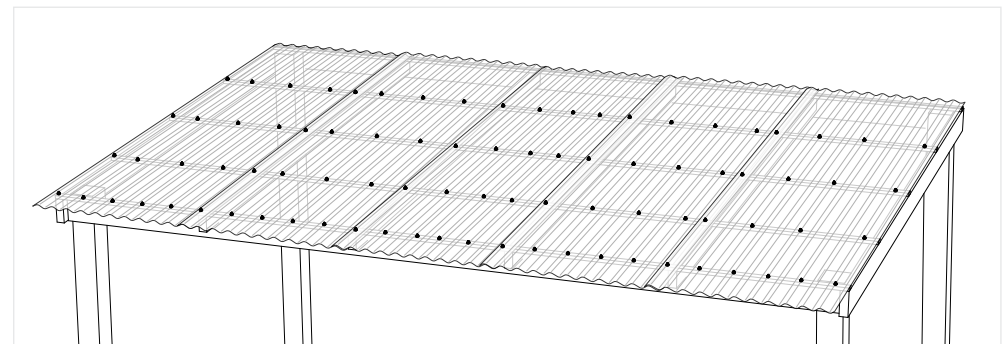
- Start fixing the screws at the overlapping corrugation
- Start at the lower end, and make your way sideways and upward.
- **NOTES:** Leave the next lateral side-lap corrugation un fixed.
- It will be fixed together with the next sheet.
- In case of top wall trim use, do not drill the top purlin line.

10 Positioning & Drilling the second sheet



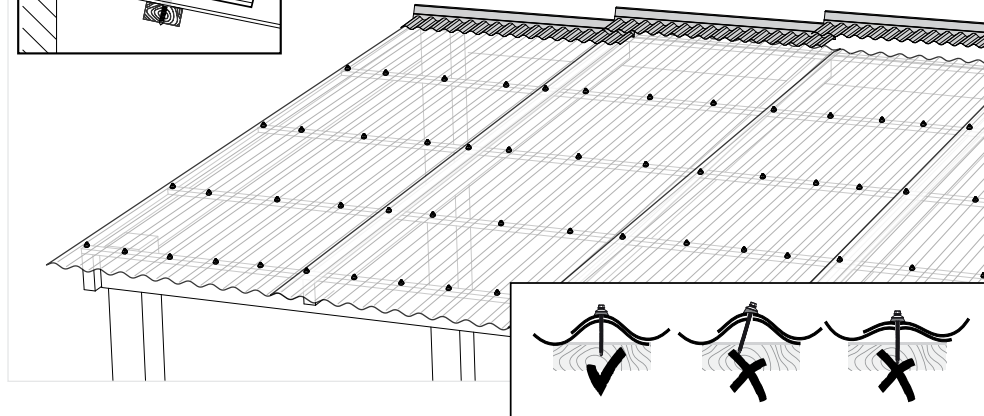
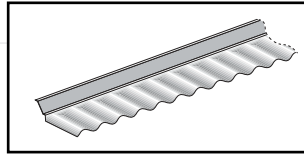
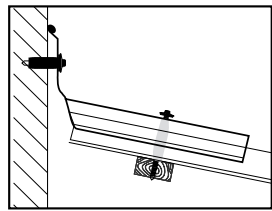
- Drill 10 mm holes through **both sheets** at the lateral overlap corrugation.
- In case of top wall trim use, leave top purlin screw line unfastened.

12 Repeat stages 10-11 until the pergola is fully covered

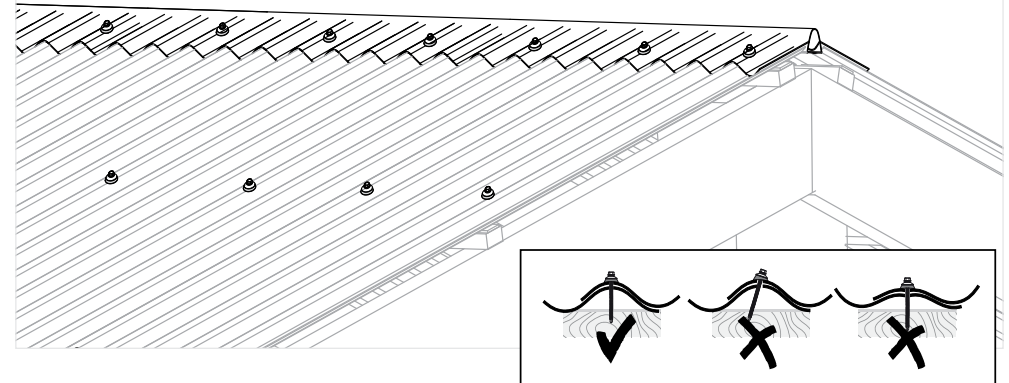
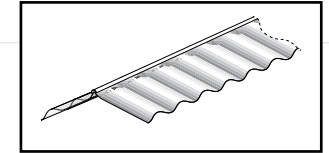
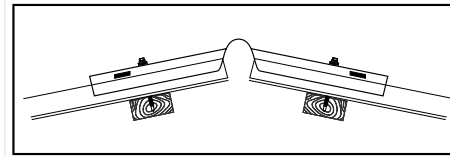


- In case of top wall trim use, leave top purlin screw line unfastened.

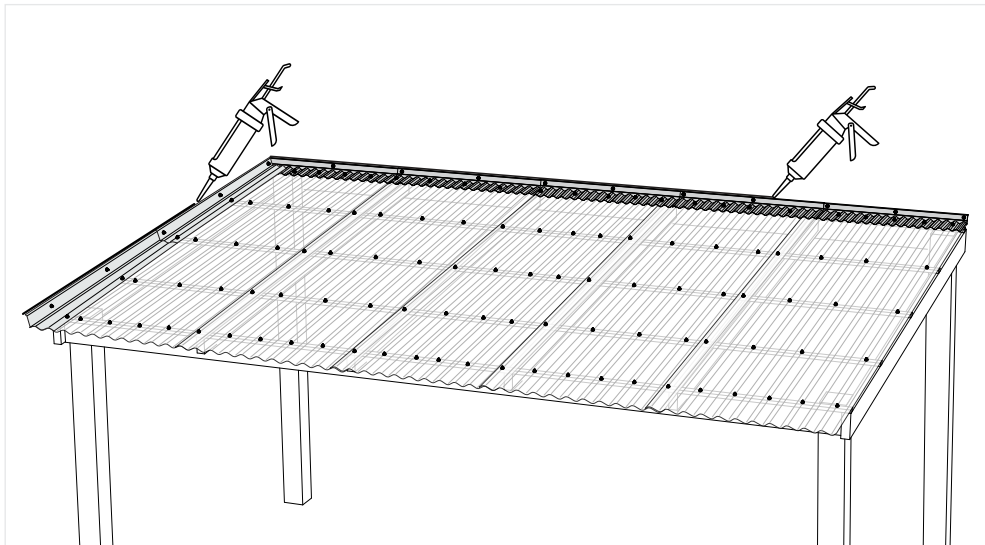
13 Side Wall Flashing



15 Universal Ridge Cap



14 Complete Pergola Cover





PALRAM SA/NT

517A Cross keys Road
Cavan SA 5094
Tel: (08) 8262 2288
Fax: (08) 8262 3388
salessa@palram.com

PALRAM NSW/ACT

Unit 2, 26 Redfern St,
Wetherill Park, NSW 2764
Tel: (02) 8788 6100
Fax: (02) 8788 6199
salesnsw@palram.com

PALRAM QLD

Unit 9C / 380 Bilsen Road
Geebung QLD 4034
Tel: (07) 3172 5581
Fax: (07) 3172 5516
salesqld@palram.com

PALRAM VIC/TAS

34 Buys Court
Derrimut VIC 3030
Tel: (03) 9219 4444
Fax: (03) 9219 4455
salesvic@palram.com

PALRAM WA

74 Christable Way
Landsdale WA 6065
Tel: (08) 9302 4173
Fax: (08) 9302 5287
saleswa@palram.com

