

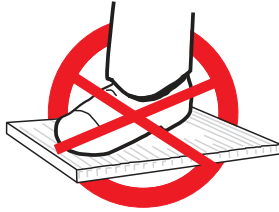


Sole Australian distributor  
of Lexan\* Multiwall sheeting

# Flexibar Installation Instructions

## Lexan\* Thermoclear\* multiwall sheet

\* Trademarks of Sabic Innovative Plastics IP BV



Site safety. In all applications, sheeting should not be used to support a person's weight during installation or cleaning. A temporary wooden beam or other device, supported by roof members, should always be used.

### NOTE:

Please read instructions thoroughly prior to commencement of installation.

### Design considerations:

For new structures, attempt to design in accordance with the following table.

#### 10 mm Twin Wall sheet

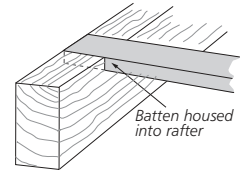
Sheet width	Rafter spacing (centres)	Purlin (Batten) spacing	Minimum fall
700 mm	720 mm	not required	5°
1050 mm	1070 mm	1200 mm (recommended)	5°

Above figures based on 900 N/m<sup>2</sup>. For installation in high wind areas, please contact Ampelite.

For existing structures or designs outside of the above table, sheets must be cut to width to ensure that rafters support the Flexibar.

It may be possible for sheeting to be supported without the need for battens. Please contact Ampelite for details.

For all Flexibar applications, the roof battens MUST be housed into the rafters so that the rafters and battens are on the same plane.



Flexibar may be used for curved applications, provided there is a supporting rafter with a flat surface. Flexibar may be used with any gauge sheeting. Allow overhang (maximum 50mm) if draining into gutter.

For installation of 10 mm sheeting on surfaces with a consistent fall, Ampelite's H-Bar fitting system is recommended.

### Installation Hints:

Both sides of the sheet are UV protected and can therefore be installed with either side facing up.

Sheet ribs (flutes) must run vertically with the fall of the structure.

Sheeting can be cut to length using a power saw fitted with a fine tooth blade of a type suitable for plastic. A sharp blade can be used for cutting to width.

Do not use sealants that are not 100% chemically compatible with polycarbonate sheeting; suitable sealants are available from Ampelite. The use of incorrect sealants or gaskets will void the warranty.

### Checklist:

- Lexan® Thermoclear® Sheeting
- Aluminium Flexibar glazing bar
- Flexibar gasket
- Flexibar rafter gasket
- Aluminium end cap ('U' shaped)
- End cap gasket to suit sheet gauge
- Aluminium Flexibar bracket (two per rafter)
- Aluminium sealer tape
- Double sided tape
- Anti-noise tape
- 12 gauge screws (minimum)
- Bonded washers



SABIC  
Innovative  
Plastics™

سابك  
sabic

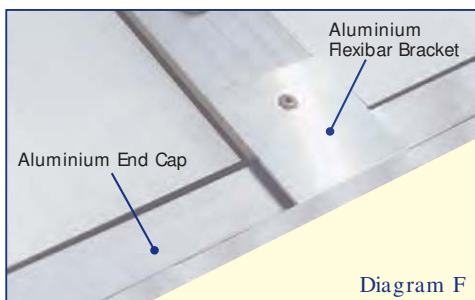
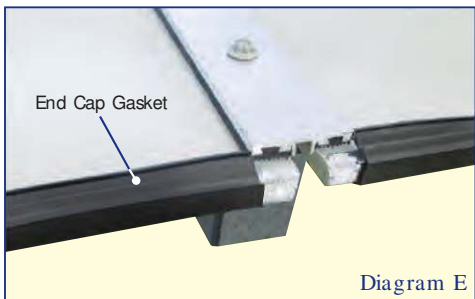
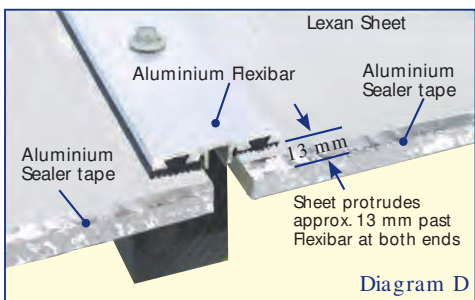
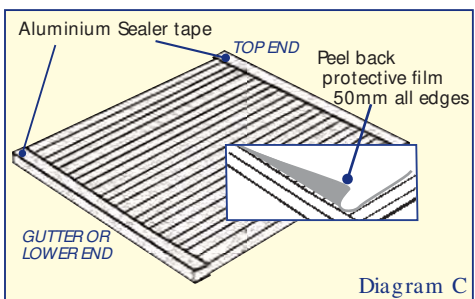
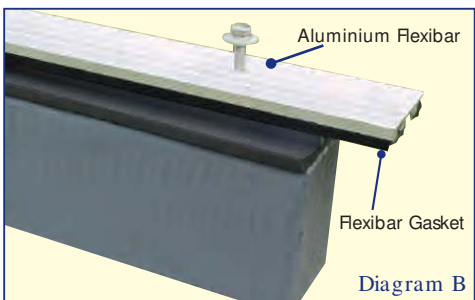
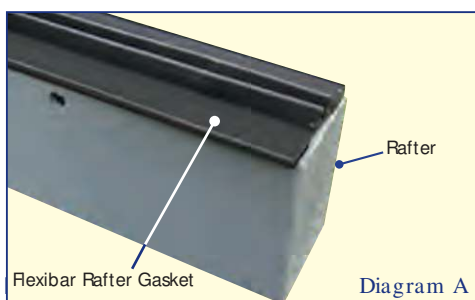
Authorized Distributor

**Lexan\*** Tough  
Polycarbonate Sheet Virtually  
Unbreakable

\* Trademark of Sabic Innovative Plastics IP BV

# Lexan\* Thermoclear\* multiwall sheet

\* Trademarks of Sabic Innovative Plastics IP BV



## Flexibar Installation:

1.

Check structure and sheet measurements.

2.

Cut Flexibar Rafter Gasket to the same length as supporting rafter. Secure gasket to rafter using tacks, double-sided adhesive tape, or compatible spray adhesive. See Diagram A.

3.

Cut Aluminium Flexibar to the same length as the rafter (or longer for overhang). Press Flexibar Gasket into both sides of Flexibar and cut flush with the end.

4.

Align Flexibar over secured rafter gasket. Secure Flexibar through central groove to the mid-point of the rafter, allowing sufficient gap to insert sheeting. See Diagram B.

5.

Cut sheeting 25mm longer than Flexibar. Peel back protective film approximately 50mm on all edges of sheet(s). Clear flutes in sheeting using vacuum cleaner or compressed air. Peel backing from Aluminium Sealer Tape and apply carefully to both ends of sheet to seal flutes. See Diagram C.

6.

Insert sheeting into either side of Flexibar. Sheet should protrude approximately 13mm at each end of Flexibar. See Diagram D.

7.

Secure Flexibar every 600mm (maximum), ensuring that sheeting remains aligned. Closer spacings will be required for high wind areas. Be careful not to over-tighten screws, as sheeting could buckle. Continue until all sheets are fixed. At end rafters, timber strips or off-cut sheeting will be required to support vacant side of Flexibar.

8.

Apply End Cap Gasket over Sealer Tape at end of sheets, stopping at Flexibar sections (Diagram E). Push Aluminium End Cap over the entire width of the structure. There should be minimal gap between end of Flexibar and End Cap. (Diagram F). A small "weep" hole may need to be drilled in the Aluminium End Cap.

9.

Secure Aluminium Flexibar Bracket to Flexibar over End Cap using a rivet or screw. This will prevent End Cap from falling off due to sheet expansion. See Diagram F.

10.

To prevent excessive deflection, structures with battens/purlins will require additional fixings. For 700mm width sheets drill an 11mm (oversized) hole through the mid point of the sheet and secure to batten/purlin using a single screw with bonded washer. The 1050 mm width sheets will require 2 fixings at even spacings across each batten/purlin.

## Cleaning of multiwall sheeting

Please refer to site safety instructions on front page before cleaning.

Rinse sheet with lukewarm water.

Wash sheet with a solution of mild soap or household detergent and lukewarm water, using a soft cloth or sponge to loosen any dirt and grime.

Rinse off with cold water and dry with soft cloth to avoid spotting.

**Note:** Never use an abrasive or highly alkaline cleaner on sheet. If you are unsure as to what cleaning agents can be used, please contact Ampelite.



Ampelite Australia Pty Ltd ABN 91 487 122 629

VIC & TAS: Tel 03 9794 0977, Fax 03 9794 0710. NSW & ACT: Tel 02 9625 7200, Fax 02 9625 7211.

QLD: Tel 07 3808 6211, Fax 07 3808 4799. NTH QLD: Tel 07 4774 5007, Fax 07 4774 7898.

SA & NT: Tel 08 8260 7391, Fax 08 8260 7397. WA: Tel 08 9302 6833, Fax 08 9302 6855.

NZ: Tel 09 634 5366, Fax 09 622 2060.

[www.ampelite.com.au](http://www.ampelite.com.au)