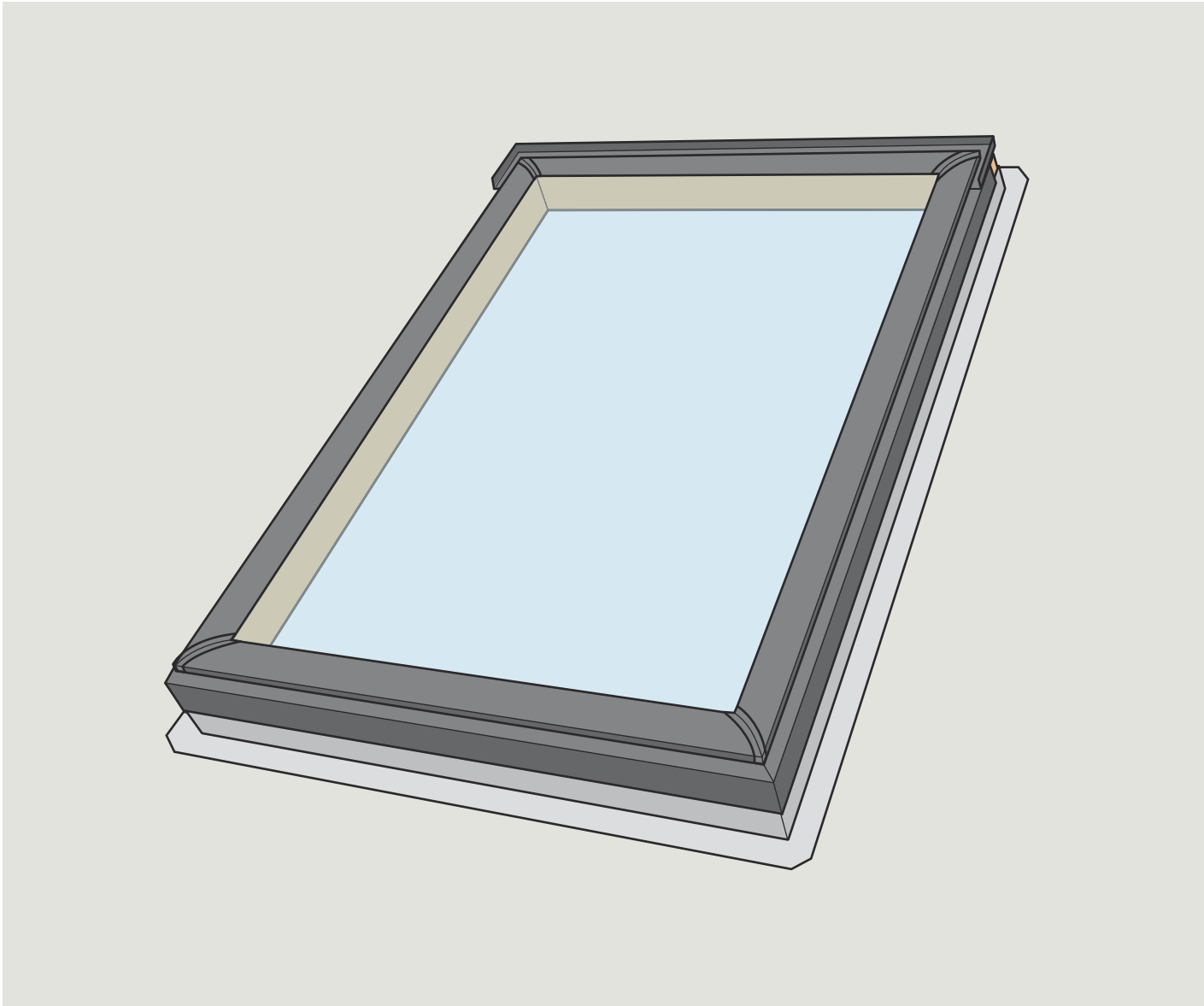


FS



FS Deck Mounted Skylight Installation Instructions





FS is designed for roof pitch 15-90 deg.

Accessories

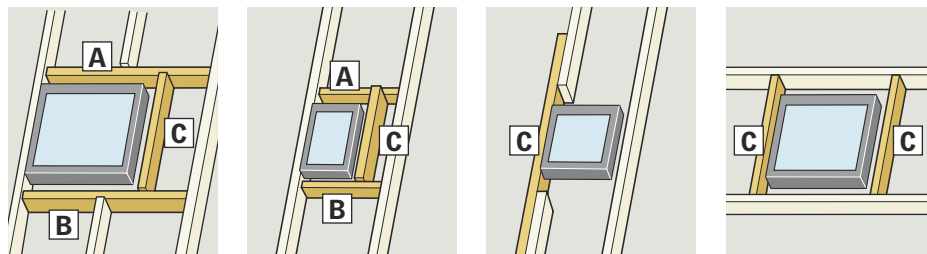
Refer to instructions for accessory type in question or contact VELUX for further information.

Vapor barrier

Where a vapor barrier is part of the roof construction, this barrier must be extended and connected to the skylight finish groove.

Treatment of wooden frame

Most VELUX skylights are pre-painted white and require no on-site painting. Stain grade skylights (available on order) have a temporary treatment against mould and mildew. Further treatment with wood stain, paint etc is necessary and can be done prior to installation or shortly after installation. Care should be taken to ensure wood stain, paint etc is not applied to gaskets.

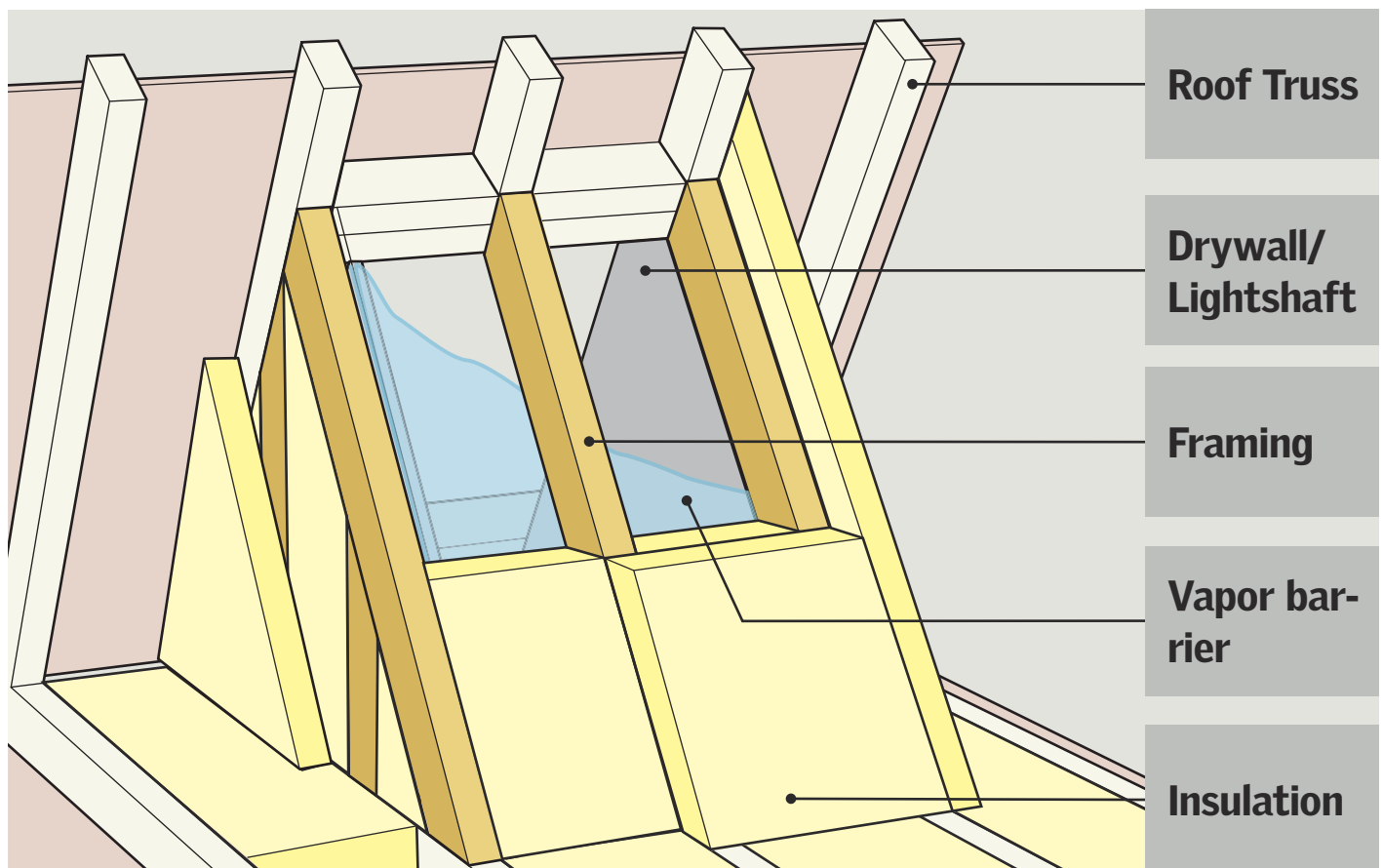


Roofing rafters

The skylight must be supported by roofing rafters as shown. Install top, side and bottom support rafters when necessary.

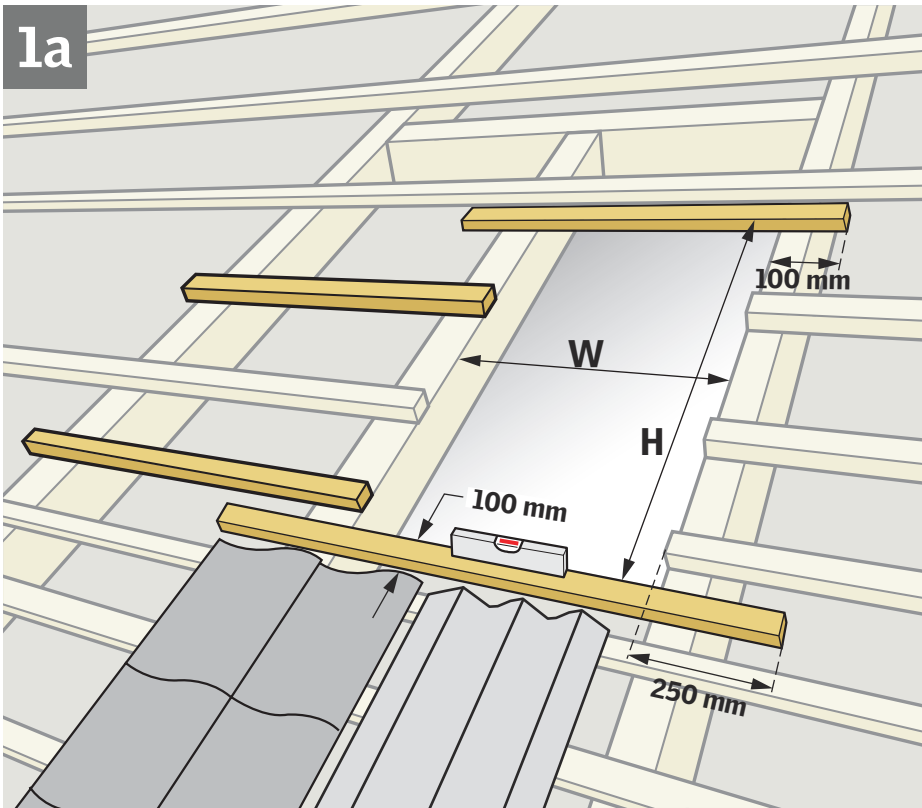
- A:** Top support rafter.
- B:** Bottom support rafter.
- C:** Side support rafter

Planning for your VELUX skylight - Lightshaft application



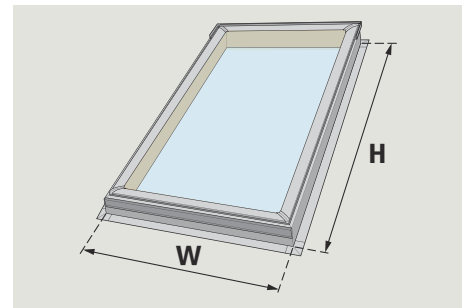
Framing out

1a

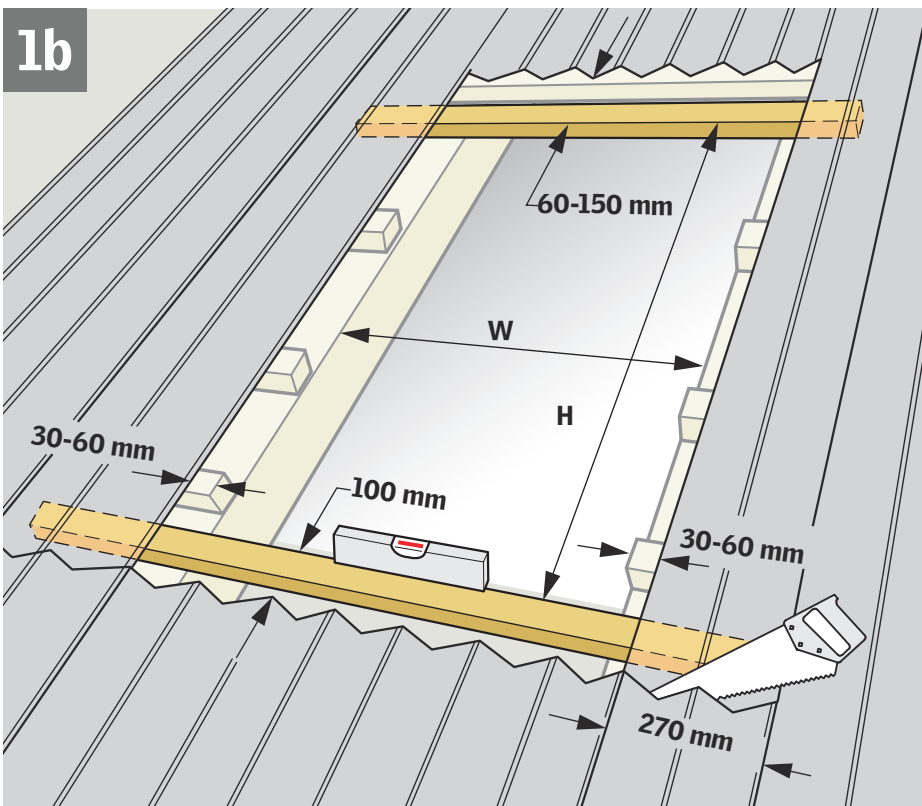


Tiles and new Metal roofing with EDW flashing

Tiles and new Metal sheet roofing with EDW
 Prepare the rough opening to match the size of the skylight frame.
 Install installation battens at top and bottom as shown and add support battens at the sides as necessary to support the flashing minimum 2-3 places.
 Keep 100 mm distance from edge of roofing material to top edge of installation batten.
For tiles, ensure that the bottom of skylight frame is fitted above a complete course of tiles.
 Check for level.

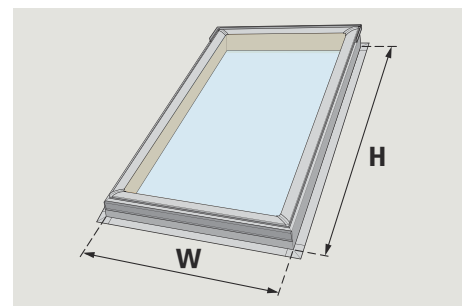


1b



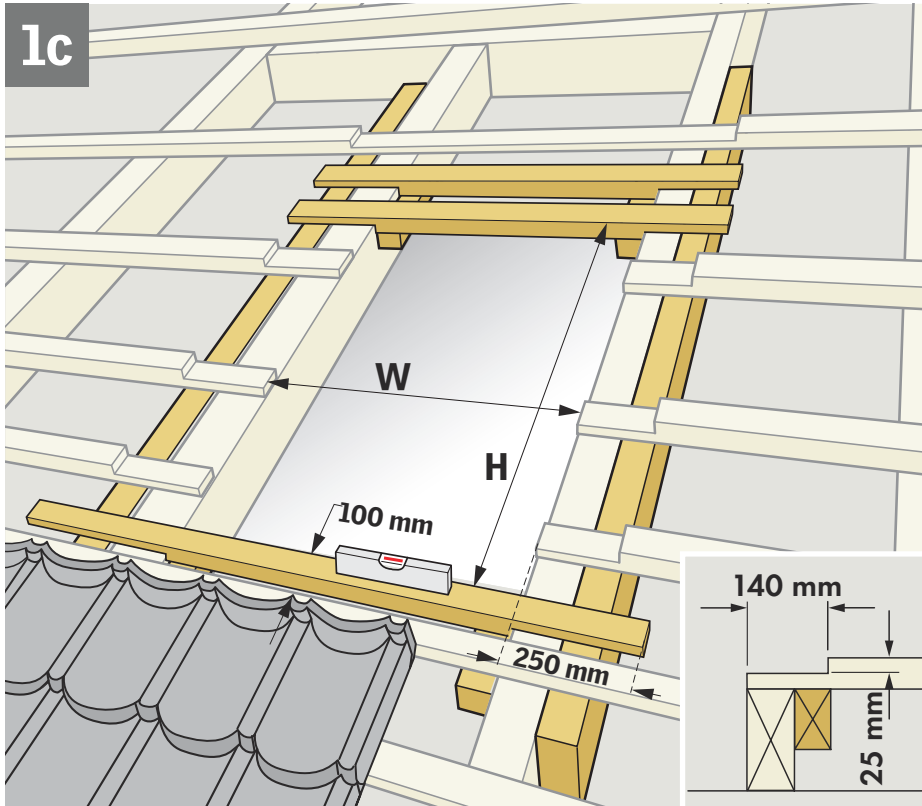
Existing Metal sheet roofing with EDW flashing.

Cut the metal sheets as shown, taking care to maintain the correct distance to the rough opening.
 Finish the rough opening to match the size of the skylight frame.
 Install installation battens as shown and headers and jack rafter as necessary.
 Check for level.
 Important: Install the EDW head flashing section before installing the skylight.



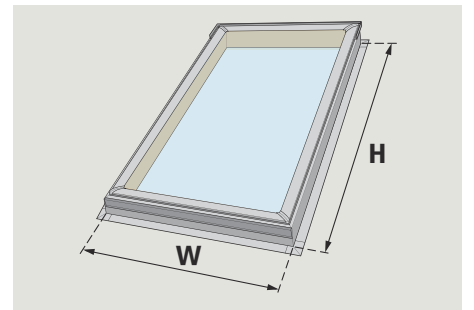
Framing out

1c

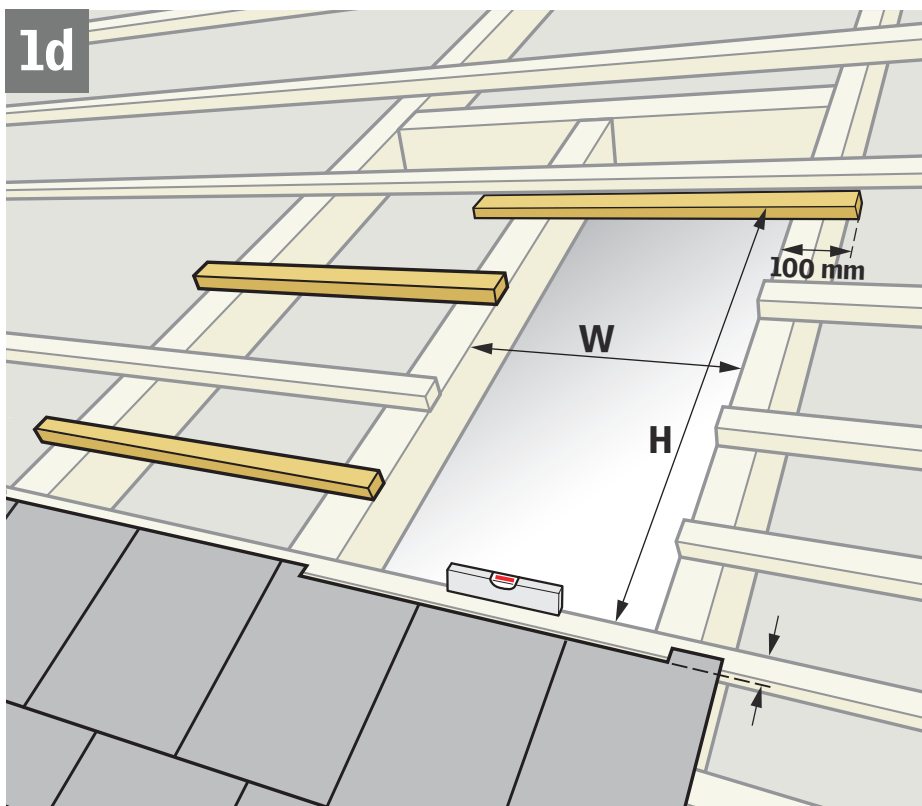


DECRA®, HARVEY™ or CORONA® roofing material with EDW flashing

Prepare the rough opening to match the size of the skylight frame.
Install installation and support battens as shown and headers and jack rafter as necessary. Installation battens and support battens must be recessed 25 mm below batten level. Keep 100 mm distance from edge of roofing batten to top edge of installation batten. Check for level.
Cut roofing battens down 25 mm deep at sides and at top and 140 mm wide at sides. Install an extra trimmer to support the weakened roofing battens.

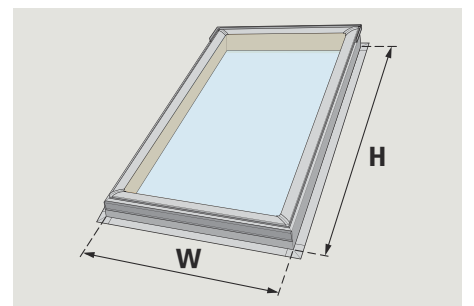


1d

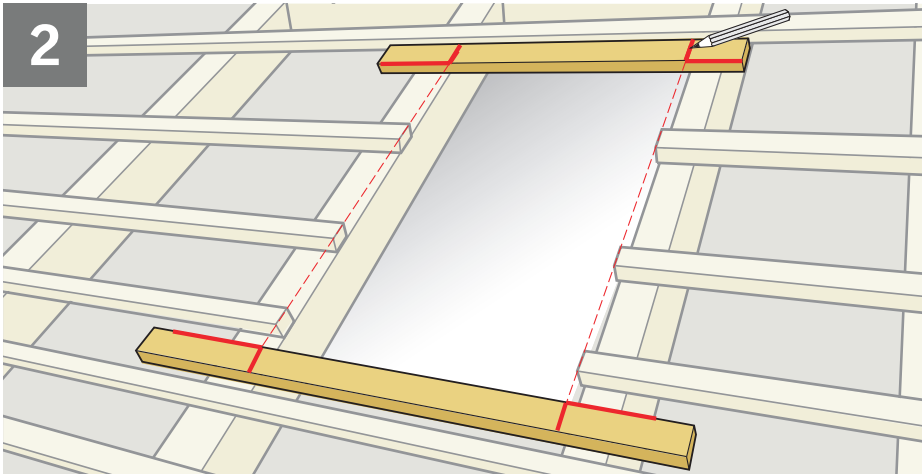


Shingles / Slates with EDL flashing

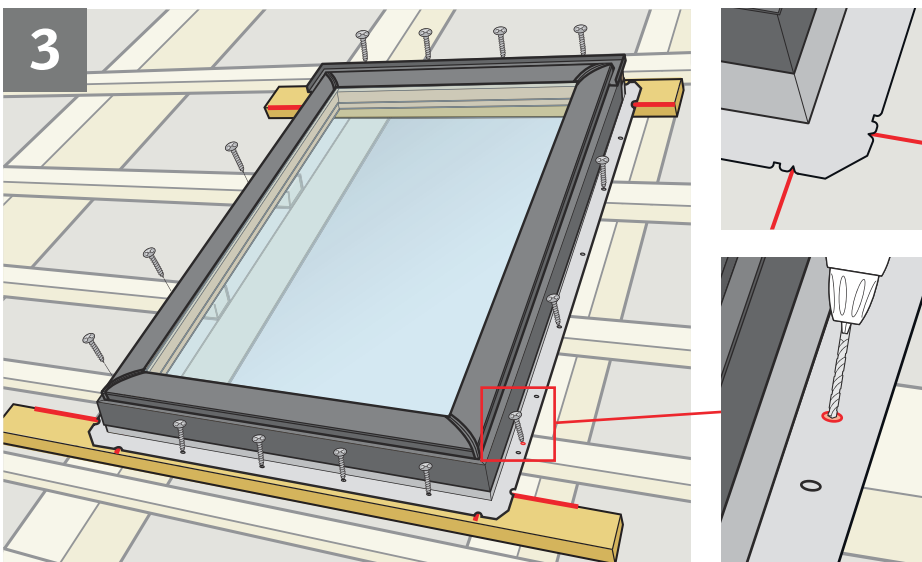
Tiles and new Metal sheet roofing with EDW
Prepare the rough opening to match the size of the skylight frame.
Install installation batten at top as shown and add support battens at the sides as necessary to support the flashing minimum 2-3 places. Check for level.



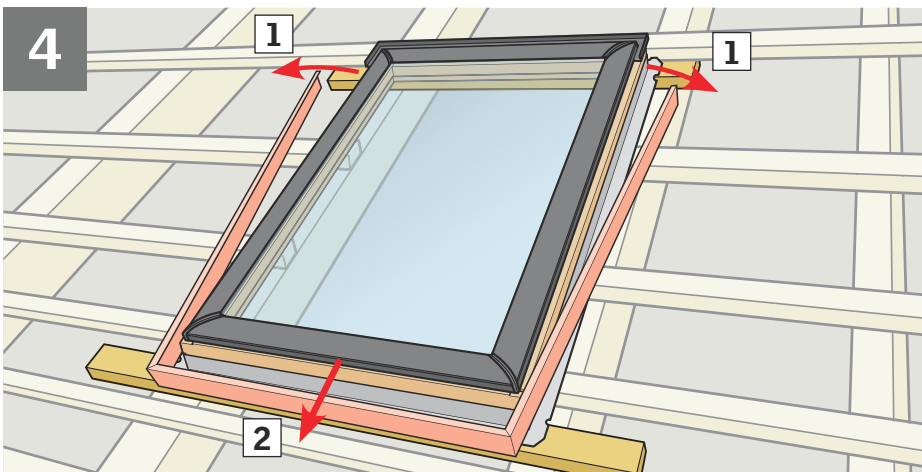
Attachment of skylight



Mark corners of the rough opening.



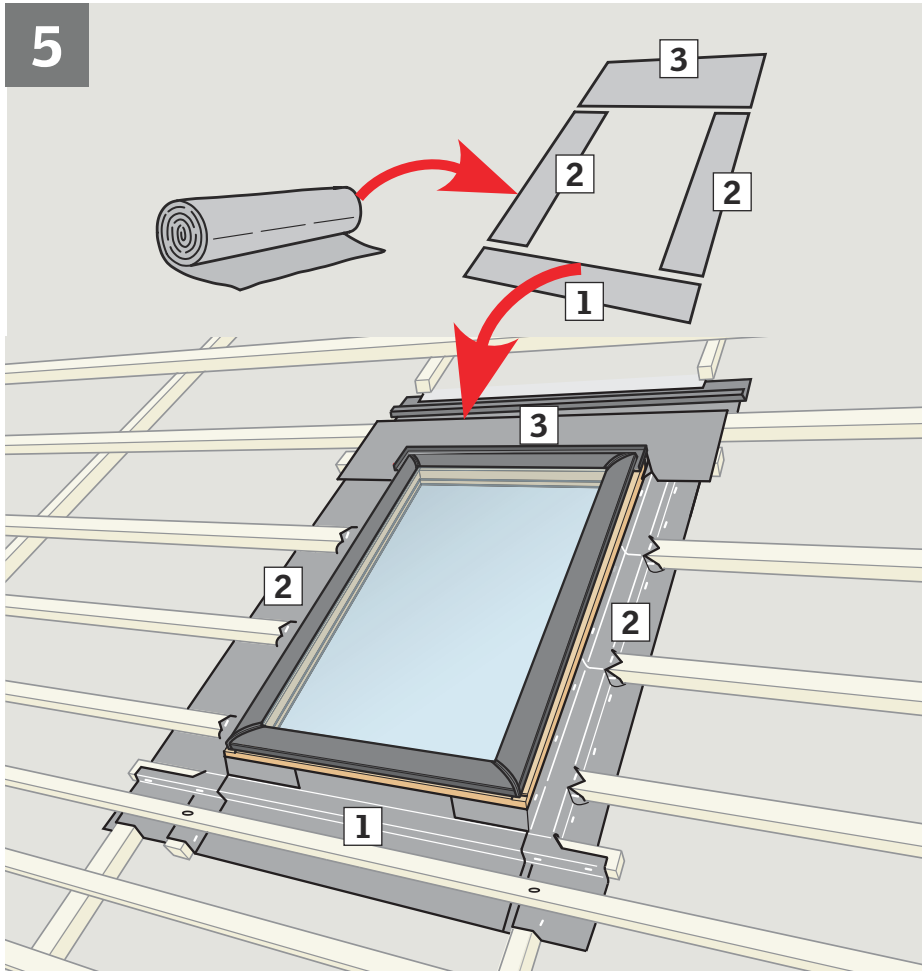
Center the skylight over the rough opening as shown.
Attach skylight with fasteners provided.
Drill new holes if existing does not align with the roofing battens.



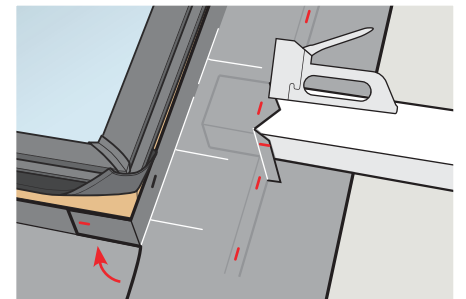
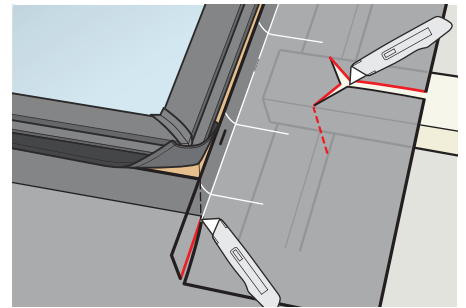
Remove coverings if underlayment is going to be used

Installation of roofing underlay

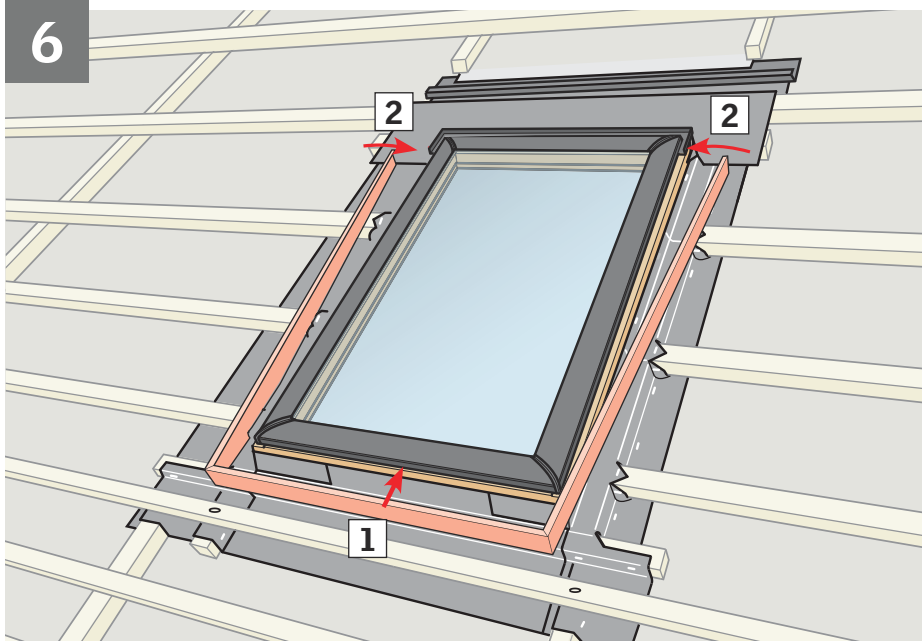
5



If roofing underlay is used: Dress roofing underlay up around all four sides of the frame. Roof with counter battens shown for illustration purpose.

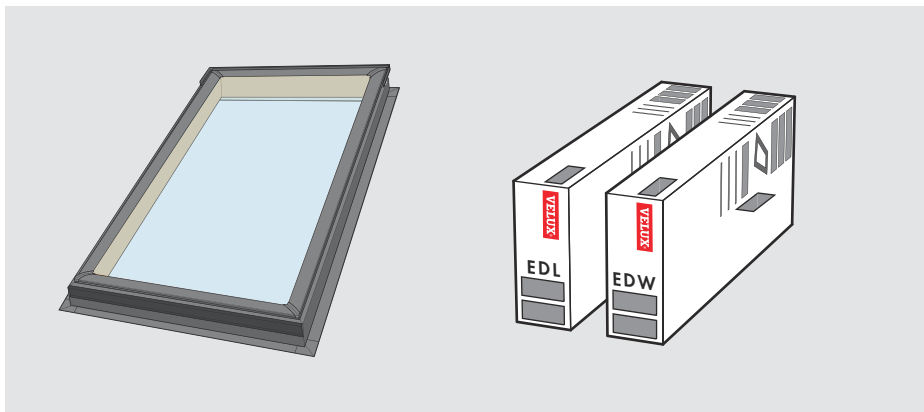


6

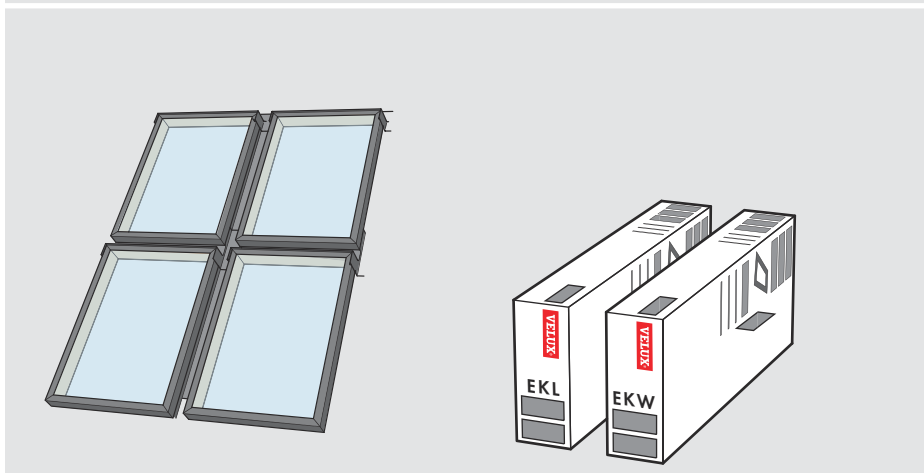


If flashing is not to be installed immediately, replace the cladding parts starting at the bottom. Interlock side frame claddings with bottom frame cladding as shown. Ensure top casing/ top frame cladding is placed in position **3**. Secure the claddings with the original screws.

Flashing



For flashing information, see instructions supplied with the relevant flashing.
Contact VELUX for grouping / combi installation of skylights.





AUS: VELUX Australia Pty. Ltd
1300 859 856

NZ: VELUX New Zealand Ltd.
0800 650 445

www.velux.com