

The right way to attach solar PV to trapezoidal roof profiles!

S-5![®]

The Right Way![™]

ProteaBracket[™]

A versatile bracket for mounting solar PV to trapezoidal roof profiles

ProteaBracket[™] is now made in aluminum. Still the most versatile trapezoidal metal roof attachment solution on the market, the S-5! ProteaBracket just got better!

The bracket features an adjustable attachment base and module attachment options to accommodate different roof profile dimensions and mounting options.

Our pre-applied EPDM gasket with peel and stick adhesive makes installation a snap, ensuring accurate and secure placement the first time.

With no messy sealants, faster installation, and a weather-proof fit, ProteaBracket offers you the most versatile solar attachment solution available.

ProteaBracket* can be used for rail mounting or "direct-attach" with S-5! PVKIT[™]

*When ProteaBracket is used in conjunction with the S-5! PVKIT, an additional nut is required during installation.

*See www.S-5.com for details.



**NOW AVAILABLE
IN ALUMINUM**



ProteaBracket[™]

Features and Benefits

- 34% lighter - saves on shipping
- Stronger L-Foot[™]
- Load-tested for engineered application
- Corrosion-resistant materials
- Adjustable - Fits rib profiles up to 3"
- Peel-and-Stick prevents accidental shifting during installation
- Fully pre-assembled
- 25-year warranty*



888-825-3432 | www.S-5.com

S-5![®]

The Right Way![™]

ProteaBracket[™] is the perfect solar attachment solution for most trapezoidal rib, exposed-fastened metal roof profiles!

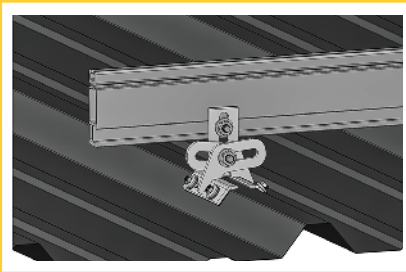
ProteaBracket[™] is compatible with common metal roofing materials and comes with a pre-applied EPDM gasket on the base.

Note: All four pre-punched holes must be used to achieve tested strength. Fasteners are provided.

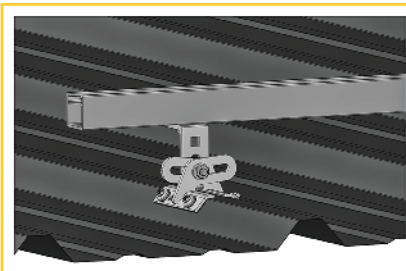
For design assistance, ask your distributor, or visit www.S-5.com for the independent lab test data that can be used for load-critical designs and applications. Also, please visit our website for more information including metallurgical compatibilities and specifications.

S-5![®] holding strength is unmatched in the industry.

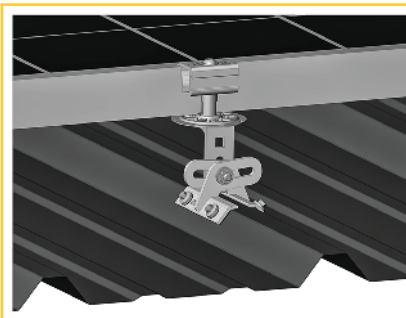
Multiple Attachment Options:



Side
Mount Rail



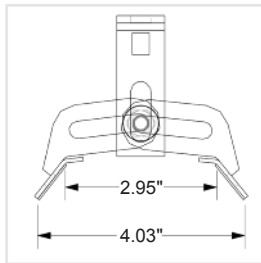
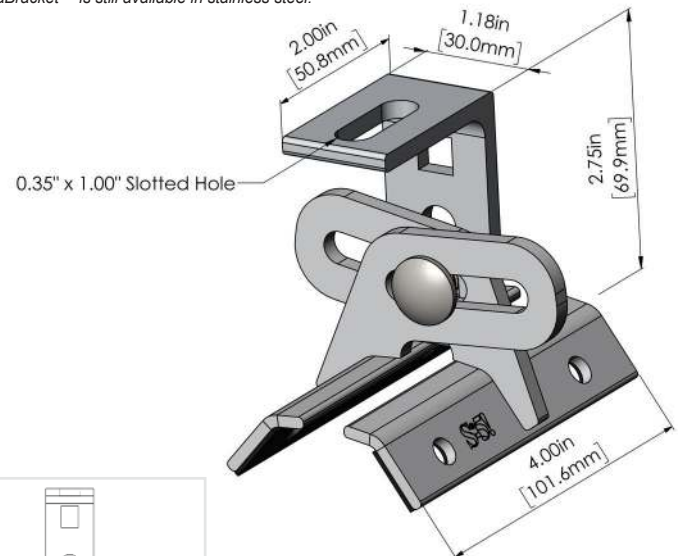
Bottom
Mount Rail



w/ S-5!
PVKIT[™]
(rail-less)

ProteaBracket[™]

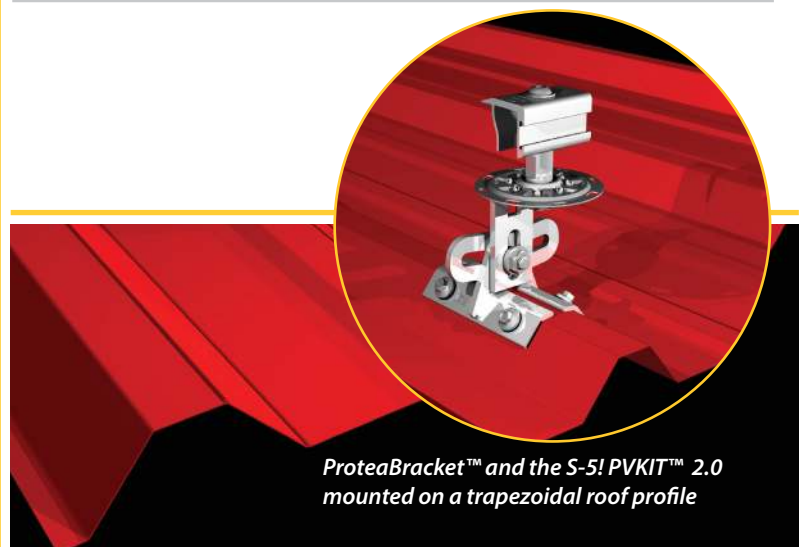
ProteaBracket[™] is still available in stainless steel.



ProteaBracket fits profiles
up to 3 inches

INSTALLATION:

- No surface preparation needed.** (1) Wipe away excess oil and debris. (2) Peel off adhesive release paper. (3) Align and mount bracket directly onto crown of panel. (4) Secure ProteaBracket through pre-punched holes, using piercing-point S-5! screws.



ProteaBracket[™] and the S-5! PVKIT[™] 2.0
mounted on a trapezoidal roof profile

S-5![®] Warning! Please use this product responsibly!

Products are protected by multiple U.S. and foreign patents. For published data regarding holding strength, bolt torque, patents, and trademarks, visit the S-5! website at www.S-5.com.

Copyright 2019, Metal Roof Innovations, Ltd. S-5! products are patent protected. S-5! aggressively protects its patents, trademarks, and copyrights. Version 07089.

Distributed by