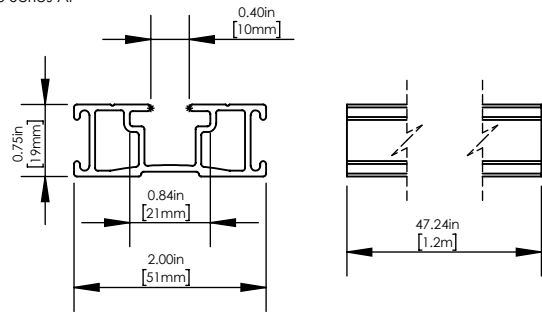


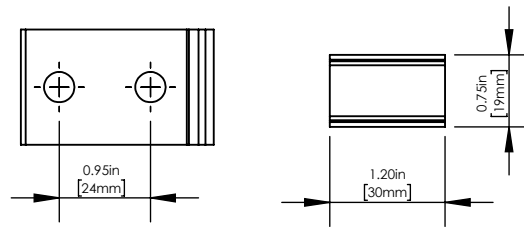
GRipperFix Rail

6000 Series Al

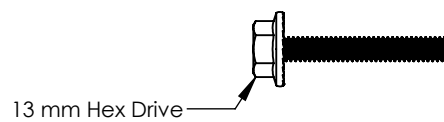


S-5-Tab EF

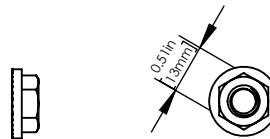
6000 Series Al



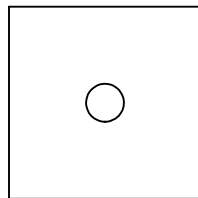
M8-1.25 x 40mm Bolt
300 Series SS



M8 Hex Flange Nut
300 Series SS



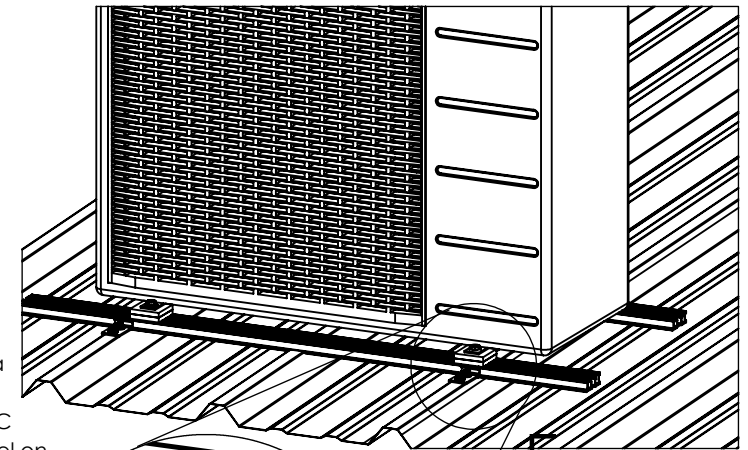
Leveling Pad
EPDM



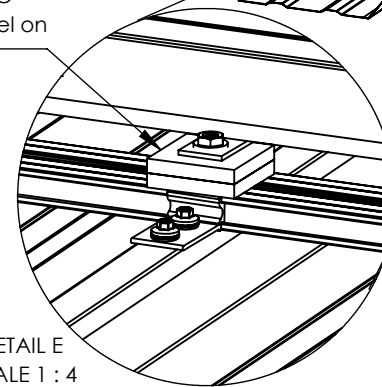
1-Inch Piercing Screw
Stainless or Coated Steel



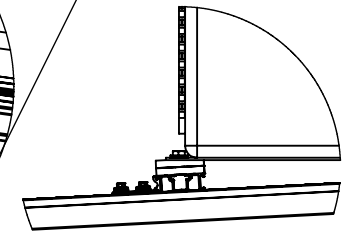
SCALE 1:12



Using an extra Leveling Pad results in HVAC unit sitting level on a sloped roof

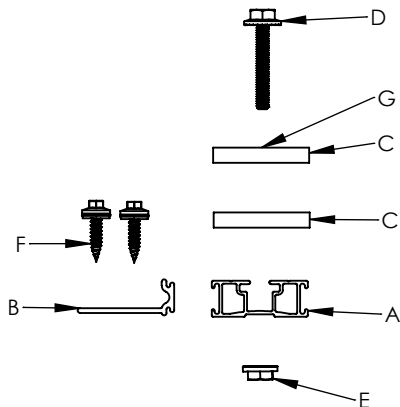


DETAIL E
SCALE 1 : 4



Side View
SCALE 1:8

SCALE 1:4



- A. GRipperFix Rail
- B. S-5-Tab EF
- C. Leveling Pad
- D. M8-1.25 x 40 mm Bolt
- E. M8 Hex Flange Nut
- F. 1-inch Piercing Screws
- G. Location of attachment of HVAC unit

FOR STANDING SEAM SPECIFIC MECHANICAL LOAD TEST INFORMATION AND CLAMP INSTALLATION INFORMATION PLEASE VISIT: WWW.S-5.COM

MATERIAL:				METAL ROOF INNOVATIONS, LTD. 8655 TABLE BUTTE RD COLORADO SPRINGS, CO 80908 719-495-0518 719-495-0045(FAX)	
EST ASSEMBLY WEIGHT:					
SUPPLIED HARDWARE:	TITLE GRipperFix (Exposed Fasten)				
SCALE: 1:2	DRAWING NO.	DRAWN BY Jesse Winternitz	DATE 6/6/2018		
WEIGHTS: Clamp: Setscrew: Bolt:	<small>S-5!® PRODUCTS ARE PROTECTED BY MULTIPLE U.S. PATENTS INCLUDING 5,228,248, 5,983,588 AND 6,164,033 (OTHERS ISSUED AND PENDING). EUROPEAN PATENTS ARE ALSO APPLIED FOR AND PENDING UNDER THE PATENT COOPERATION TREATY WITH DIVISIONAL FILING RIGHTS RETAINED. METAL ROOF INNOVATIONS, LTD. (LICENSOR OF S-5!® TECHNOLOGY) AGGRESSIVELY PROSECUTES PATENT INFRINGEMENT.</small>				