

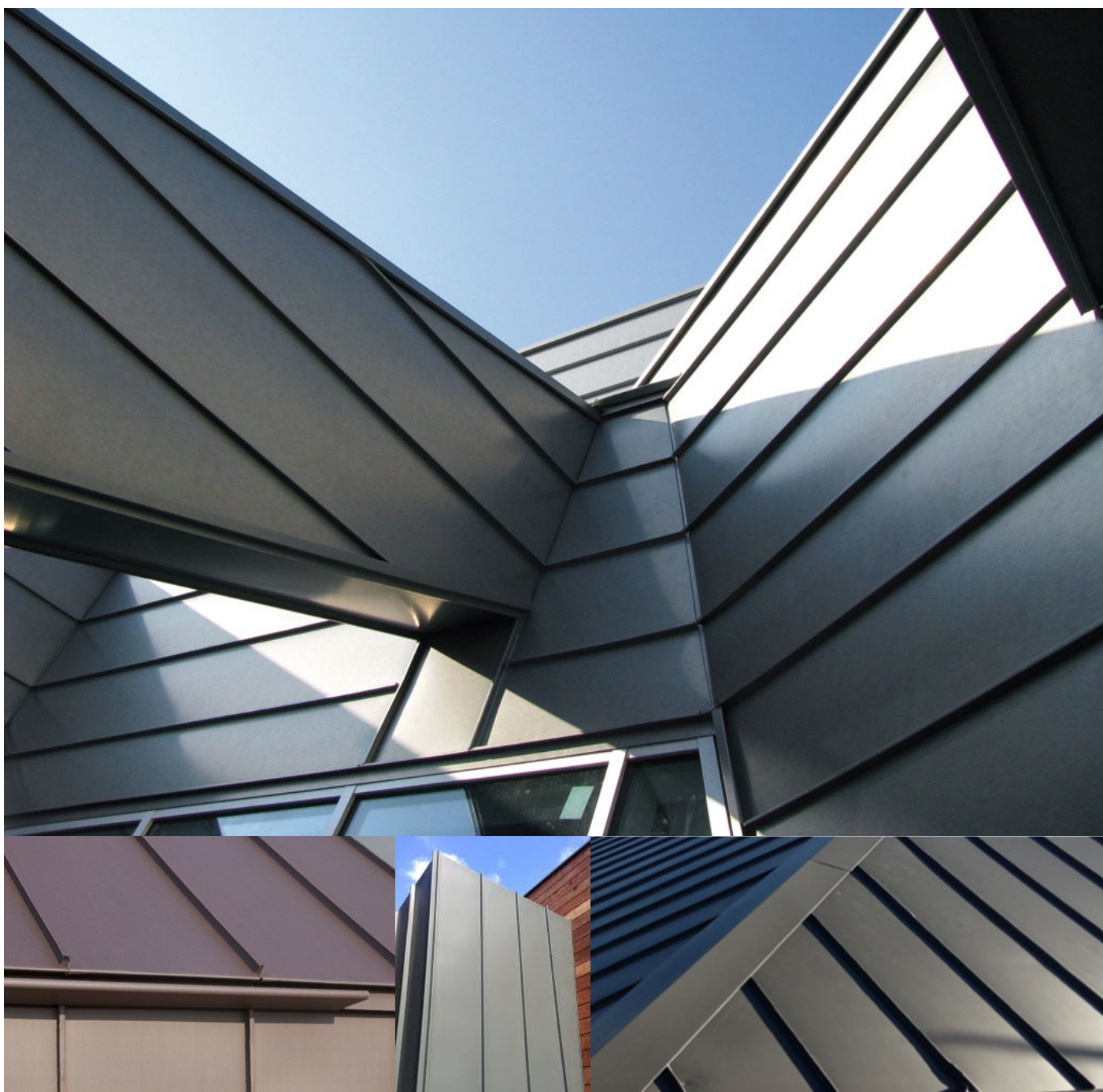
No.1

**ROOFING & BUILDING
SUPPLIES**

Datasheet

No.1 Architectural
Panel Systems

STANDING SEAM

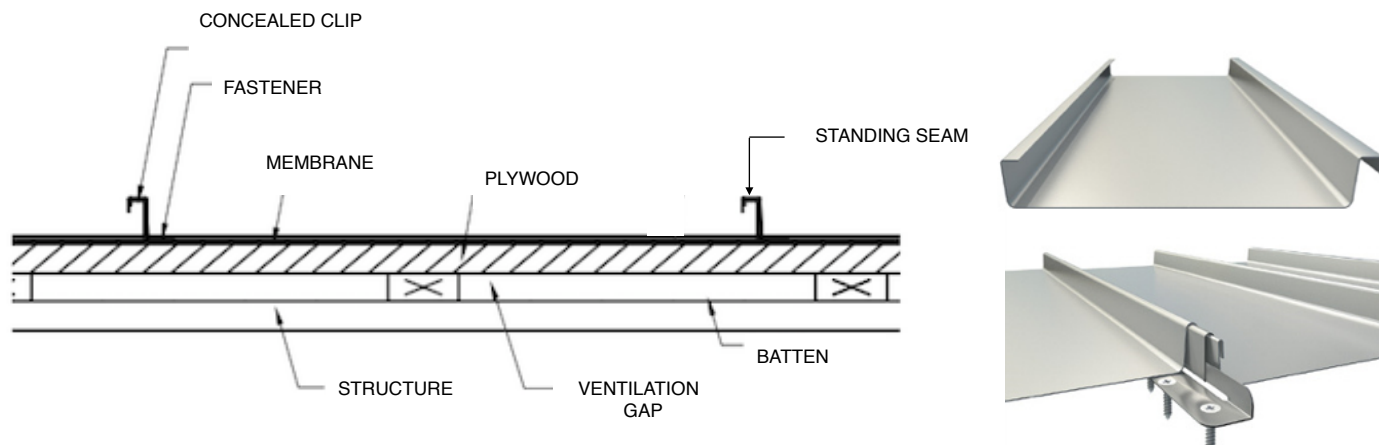


www.no1roofing.com.au



Standing Seam is available in single or double seams and can be used for facade or roofing applications. With its thin rib and wide tray, it gives a modern appearance using concealed fixing and crimping techniques to lap panels along entire lengths.

The support needs to be ventilated, rigid and continuous where all parts of the standing seam panels are laid. The plywood minimum thickness shall be 15mm for cladding and 18mm for roofing. Standing Seam panels are fixed with steel clips every 600mm maximum centres. Fixed and sliding clips can be used to allow for expansion and contraction of material. Clips are fixed with countersunk screws onto the timber supports. Each panel has a male and female rib. The female rib is held in place by a clip. The male rib is placed over both the clip and female rib then crimped to create a sealed joint. Material choice to be verified by client and installation must comply in accordance with the BCA.



Standing Seam Characteristics

Standard Module Sizes	25 x 330mm	25 x 530mm	38 x 300mm	38 x 500mm
Lengths (Min - Max)	1-8 metres (can be longer pending on site limitations)			
Rib Height	25mm	25mm	38mm	38mm
Application	New construction or renovation			
Minimum Pitch Requirement	3 Degrees			

*Custom widths available upon request.

*Dimensions are subject to +/- 10mm tolerance.

Material Availability

- VMZinc, Rhine Zinc, Jarden Zinc (1.0mm BMT)
- 0.55mm BMT Colorbond / Zinalume / Metallic / Ultra
- 0.7mm BMT Copper
- 0.7mm BMT Aluminium

FIXED CLIP



EXPANSION CLIP



Although all care is taken in the creation of this document it is only for the purpose of providing information on available profiles. We strongly recommend you discuss your project with us before selecting these products.

