

No.1

ROOFING & BUILDING
SUPPLIES

Datasheet

No.1 Architectural Panel Systems **SNAP LOCK**

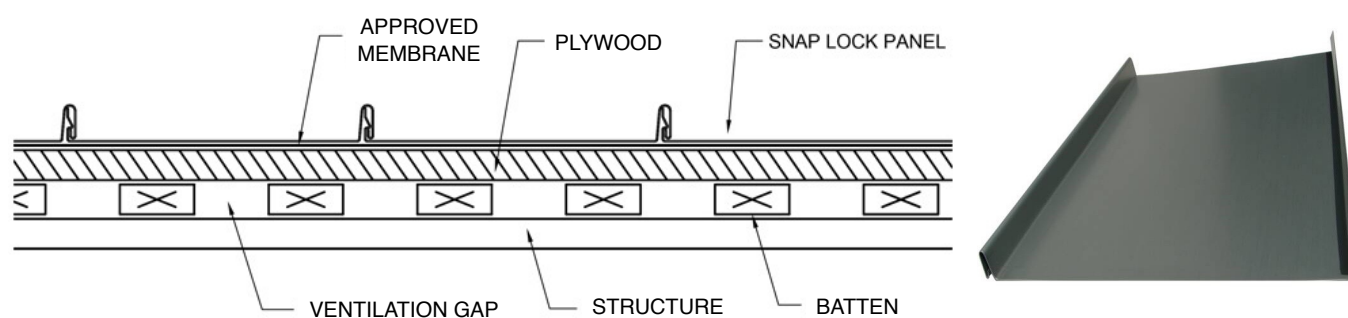


www.no1roofing.com.au



Snap Lock is a lightweight cladding system ideal for both roof and wall applications in commercial, industrial and residential environments. Its thin distinctive ribs and wide pans give it visual appeal. Snap Lock looks similar to Standing seam without the need of crimping the joints due to the “snapping” process. Available in 25mm and 38mm ribs, Snap Lock can be manufactured in various widths to suit new construction or renovation projects.

The support needs to be ventilated, rigid and continuous where all parts of the Snap Lock panels are laid. The plywood minimum thickness shall be 15mm for cladding and 18mm for roofing. Snap Lock panels are laid directly over the ply substrate and held in place with a concealed clip. Clips are fixed with countersunk screws onto the timber supports at maximum 600mm centres. Each panel has a male and female rib. The female rib is held in place by a clip. The male rib is placed over both the clip and female rib. Material choice to be verified by client and installation must comply in accordance with the BCA.



Snap Lock Characteristics

Standard Module Sizes	25 x 320mm	25 x 520mm	38 x 285mm	38 x 485mm
Lengths (Min - Max)	1 - 8 metres (can be longer depending on site limitations)			
Rib Height	25mm	25mm	38mm	38mm
Application	New construction or renovation			
Minimum Pitch Requirement	3 degrees			

*Custom widths available upon request.

*Dimensions are subject to +/- 10mm tolerance.

Material Availability

- VM Zinc, Rhine Zinc, Jarden Zinc Plus (0.7mm BMT)
- 0.55mm BMT Colorbond / Zinalume / Metallic / Ultra
- 0.7mm BMT Copper
- 0.7mm BMT Aluminium

Although all care is taken in the creation of this document it is only for the purpose of providing information on available profiles. We strongly recommend you discuss your project with us before selecting these products.

sales@no1roofing.com.au

