

No.1

**ROOFING & BUILDING
SUPPLIES**

Datasheet

No. 1 Architectural
Panel Systems

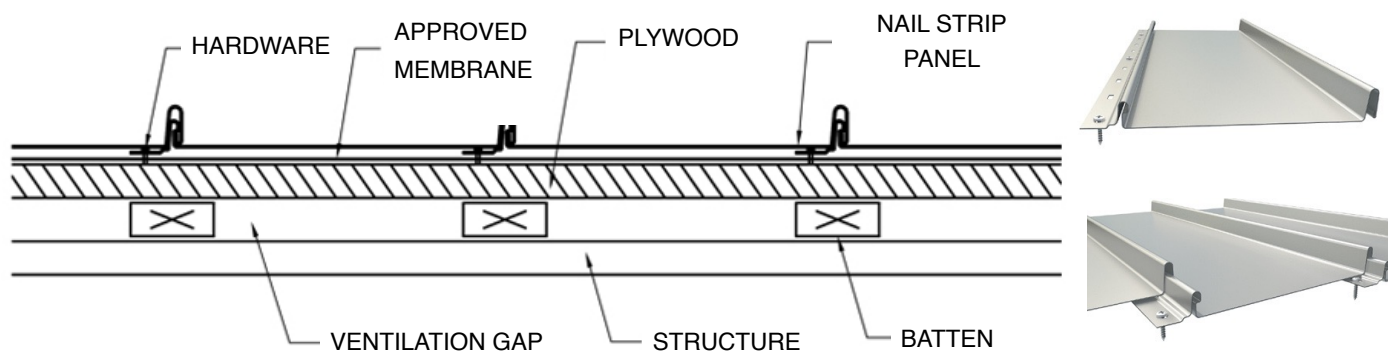
NAIL STRIP



www.no1roofing.com.au

Nail strip can be used for vertical facade or roofing applications. Available in 25mm and 38mm rib height, it comes in various widths and lengths to suit your project. The Nail Strip panel has a thin rib and wide tray with a perforated fixing strip along one side. There is no need for fixing clips and the additional operation of seaming. This ensures speed and ease of installing panels whilst allowing for expansion and contraction.

Supports needs to be ventilated, rigid and continuous where all parts of the Nail Strip panels are laid EXCEPT for 38mm x 265mm Colorbond/Zincalume/Metallic/Ultra which can be installed on a 40mm batten at maximum 600mm centres. The plywood minimum thickness shall be 15mm. Nail Strip panels are laid and fixed directly to the plywood substrate along the perforated strip every 300mm with concealed screws or nails. The high rib is then placed over the low rib and snapped into place along the length of the panel. Material choice to be verified by client and installation must comply in accordance with the BCA.



Nail Strip Characteristics

Standard Module Sizes	25x295mm	25x495mm	38x265mm	38x465mm
Lengths (Min - Max)	1m - 6m (4m recommended)			
Rib Heights	25mm	25mm	38mm	38mm
Application	New construction or renovation			
Minimum Pitch Requirement	7.5 Degrees (3 Degrees with lap silicone seal)			

*Custom widths available upon request.

*Dimensions are subject to +/- 10mm tolerance.

Material Availability

- Jarden Zinc, VM-Zinc, Rhine Zinc (0.7mm BMT)
- 0.55mm BMT Colorbond / Zincalume / Metallic / Ultra
- 0.7mm BMT Copper
- 0.7mm BMT Aluminium

Although all care is taken in the creation of this document it is only for the purpose of providing information on available profiles. We strongly recommend you discuss your project with us before selecting these products.

sales@no1roofing.com.au

